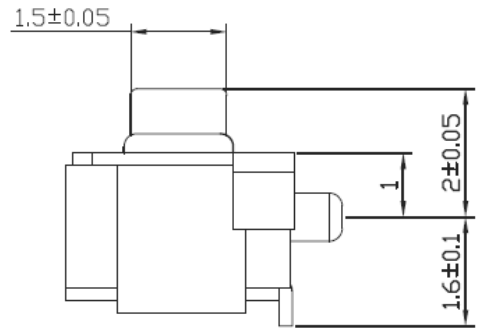
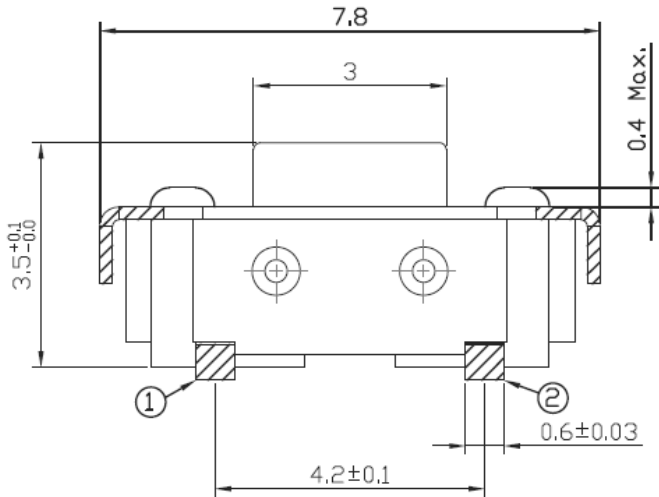
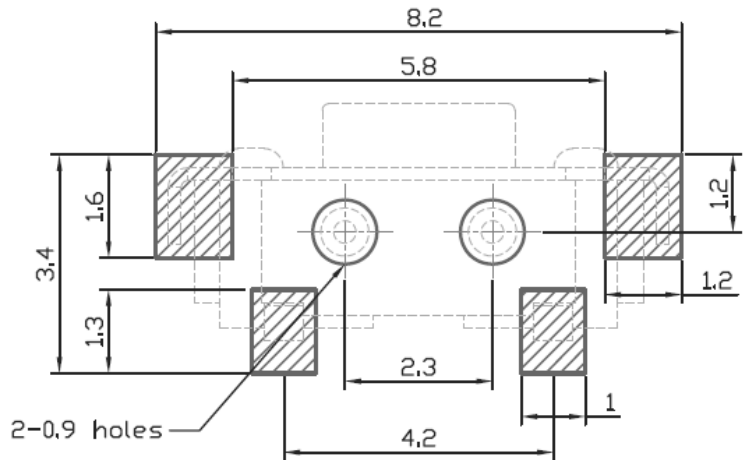
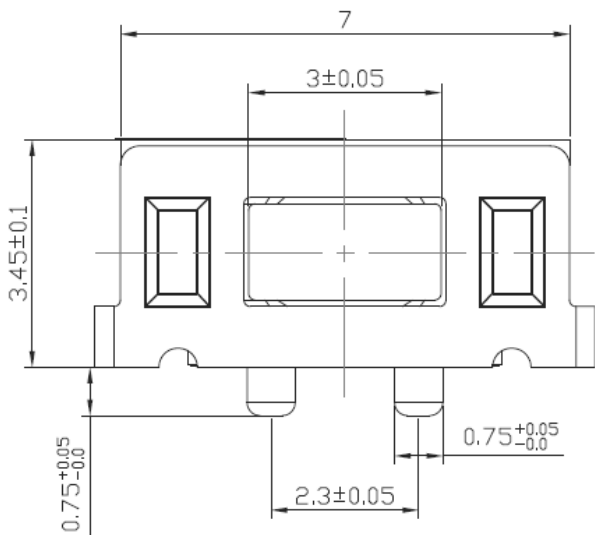


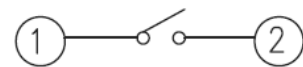
# DIMENSIONS



P.C.B MOUNTING PATTERN DIMENSION  
The following soldering patterns are recommended for reflow soldering



# CIRCUIT DIAGRAM



NOTES :

- 1.RATING : 50mA 12V DC
- 2.CONTACT RESISTANCE : 100mΩ MAX
- 3.STROKE : 0.25±0.1 mm
- 4.OPERATING FORCE : N=160±30gf R=250±50gf
- 5.OPERATING LIFE :160gf=50,000 Cycles 250gf=30,000 cycles



銓基電子股份有限公司  
ROKI ELECTRONICS CO., LTD.

PART NAME : TACT SWITCH

PART NO : TS15M-AN-PF

TOLERANCE : ±0.2 mm



SCALE :

UNIT : mm

DESIGN : R02